

# Quench Q8

## Touchless Freestanding and Countertop Series with quenchWATER+

- Experience safe dispensing with our touchless sensor-activated dispensing
- Provide hot and cold water in an all-in-one bottle-free machine
- Enjoy quenchWATER+ electrolyte and mineral enhanced water on-demand
- Protect against germs and contamination with antimicrobial surface protection technology
- Trust our advanced sanitation with LED-UV technology to increase water quality and system cleanliness



water up



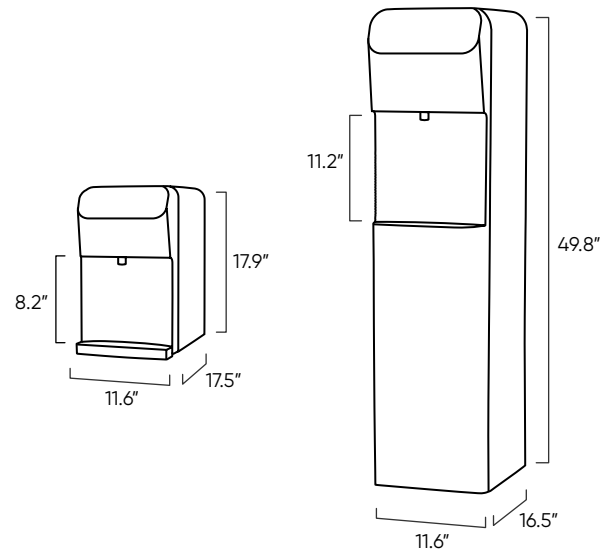
# Quench Q8

Give your office or facility a sustainable upgrade with the Quench Q8 touchless water cooler. The bottle-free Q8 keeps your employees safe, healthy and hydrated. Equipped with touchless sensor-activated dispensing, antimicrobial surface protection and state-of-the-art LED UV-C, the Q8 maintains quality and cleanliness of the freshly filtered drinking water. The Quench Q8 guarantees fresh, clean, and healthy drinking water with an endless supply of mineral-infused and electrolyte-enhanced quenchWATER+.



## Advanced Features

- Touchless sensor-activated dispensing
- Hot water safety feature with touchless dispensing
- Reverse osmosis or carbon filtration with mineral additives to produce quenchWATER<sup>®</sup>\*
- LED ultraviolet light to maintain water quality
- Antimicrobial surface protection
- quenchWATER+ system fits nicely inside
- Taller ergonomic "no-bend" dispensing design (Freestanding model)



## Specifications

### Quench Q8 Freestanding

Dimensions	49.8" h x 11.6" w x 16.5" d
Weight	60 lbs
Cold Tank Capacity	1.6 gallons
Hot Tank Capacity	0.7 gallons
Dispensing Area Height	11.2"
Filtration	RO or CF
Rated Voltage/Frequency	120V/60Hz
Power Consumption	1.6kWh/24 hours
Recommended Water Pressure	40 – 60 psi
Model Number	Q8FS RO/Q8FS CF

### Quench Q8 Countertop

Dimensions	17.9" h x 11.6" w x 17.5" d
Weight	49 lbs
Cold Tank Capacity	1.0 gallons
Hot Tank Capacity	0.4 gallons
Dispensing Area Height	8.2"
Filtration	RO or CF
Rated Voltage/Frequency	120V/60Hz
Power Consumption	1.1 kWh/24 hours
Recommended Water Pressure	40 – 60 psi
Model Number	Q8CT RO/Q8CT CF

\* Essential minerals including calcium, magnesium, potassium, and sodium are added to the water to give it crisper mineral water taste. The mineral filter media has FDA- and other third party certifications and the quantities of minerals added are negligible such that they are considered insignificant in a diet context. The Quench Q8 is certified by IAPMO R&T according to NSF/ANSI 372 standards. For more information, please contact us.