



Quench 975: Countertop Water and Ice Maker

- ◆ Chewblet[®] compressed nugget ice
- ◆ Room temperature water
- ◆ State-of-the-art purification
- ◆ Typically serves up to 25 users
- ◆ Touch screen interface for sanitary dispensing
- ◆ Space-saving, compact size
- ◆ Quiet operation
- ◆ Leak detection
- ◆ No drain required
- ◆ Prevents up to 150 5-gallon jugs from entering landfills each year



Beautiful on the outside, the best technology inside

Quench 975. Have a need for ice and water in the same machine? The space-saving Quench 975 is a smart-looking ice and water cooler that produces high-quality Chewblet® nugget ice along with an endless supply of pure, fresh water. The Quench 975 is an attractive addition to any lunchroom, break room, or other area where ice is desired.

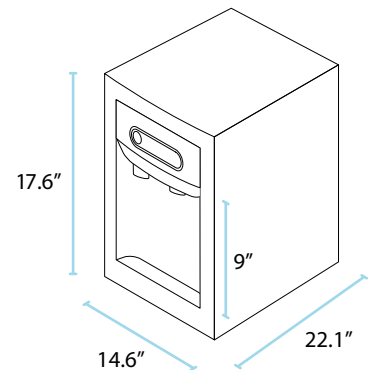


Chewblet® ice nuggets made by the Quench 975



A GREEN APPROACH

The Quench 975 prevents up to 150 5-gallon plastic jugs from entering landfills each year.



Specifications

| DESCRIPTION | SPECIFICATION |
|------------------|------------------------------------|
| Weight | 90 lbs |
| Dimensions | 17.6"h x 14.6"w x 22.1"d |
| Clearance Needed | 3" each side, 3" back |
| Ice Output | Up to 125 lbs of ice (in 24 hours) |
| Ice Storage | 7 lbs |

This product has been NSF certified and is UL listed under file #SA4865 per manufacturer Follett; please contact Quench directly for more information.

| DESCRIPTION | SPECIFICATION |
|----------------------------|-------------------------------------|
| Recommended Water Pressure | 10-70 psi |
| Rated Voltage/Frequency | 115v/60Hz @ 5 amps |
| Power Consumption | 6.9 kWh/100 lbs of ice |
| Filtration Options | Activated carbon or reverse osmosis |
| Users | Typically serves up to 25 users |

