



## *Quench 975-15: Countertop Water and Ice Maker*



- ◆ Chewblet<sup>®</sup> compressed nugget ice
- ◆ Room temperature water
- ◆ State-of-the-art purification
- ◆ Typically serves up to 50 users
- ◆ Touch screen interface for sanitary dispensing
- ◆ Space-saving, table-top size
- ◆ Quiet operation
- ◆ Leak detection
- ◆ No drain required
- ◆ Prevents up to 300 5-gallon jugs from entering landfills each year



# Beautiful on the outside, the best technology inside

**Quench 975-15.** A sleek, space-saving combination filtered water and ice machine with up to 15 pounds of Chewblet® nugget ice storage. The 975-15 is a great tabletop solution for kitchenettes or break rooms, serving up to 50 users.



*Chewblet® ice nuggets made by the Quench 975-15*



## A GREEN APPROACH

The Quench 975-15 prevents up to 300 5-gallon plastic jugs from entering landfills each year.



Total ice-making capacity of up to 125 pounds per day

15 pounds of ice storage

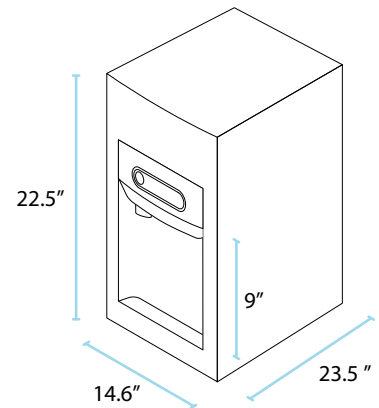
Drainless technology

NSF-certified filtration

Ice-maker and room temperature water dispenser

Advanced carbon filtration

Optional reverse osmosis filtration



## Specifications

DESCRIPTION	SPECIFICATION
Weight	100 lbs
Dimensions	22.5" h x 14.6" w x 23.5" d
Clearance Needed	3" each side, 3" back
Ice Output	Up to 125 lbs of ice/24 hours
Ice Storage	15 lbs

This product has been NSF certified and is UL listed under file #SA4865 per manufacturer Follett; please contact Quench directly for more information.

DESCRIPTION	SPECIFICATION
Recommended Water Pressure	10-70 psi
Rated Voltage/Frequency	115v/60Hz @ 5 amps
Power Consumption	6.9 kWh/100 lbs of ice
Filtration Options	Activated carbon or reverse osmosis
Users	Typically serves up to 50 users

