



Quench 970: Free-Standing Water and Ice Maker



- 💧 Chewblet[®] compressed nugget ice
- 💧 Room temperature water
- 💧 State-of-the-art purification
- 💧 Typically serves up to 25 users
- 💧 Touch screen interface for sanitary dispensing
- 💧 Quiet operation
- 💧 Leak detection
- 💧 No drain required
- 💧 Prevents up to 150 5-gallon jugs from entering landfills each year



Beautiful on the outside, the best technology inside

Quench 970. Have a need for ice and water in the same machine? The space-saving Quench 970 is a smart-looking ice and water cooler that produces high-quality Chewblet® nugget ice along with an endless supply of pure, fresh water. The Quench 970 is an attractive addition to any lunchroom, break room, or other area where ice is desired.



Chewblet® ice nuggets made by the Quench 970

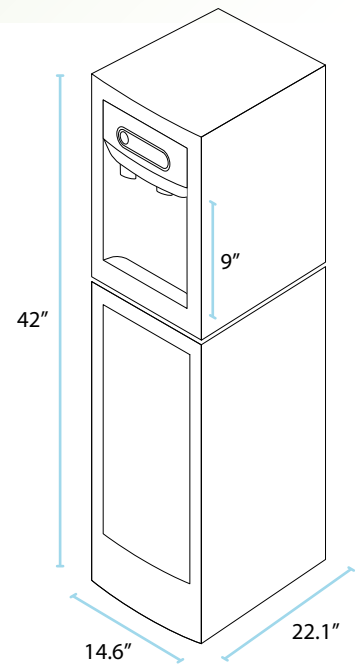


A GREEN APPROACH

The Quench 970 prevents up to 150 5-gallon plastic jugs from entering landfills each year.



- Total ice-making capability — up to 125 pounds per day
- 7 pounds of ice storage
- Drainless technology
- NSF-certified filtration
- Ice-maker and room temperature water dispenser
- Advanced carbon filtration
- Optional reverse osmosis filtration



Specifications

DESCRIPTION	SPECIFICATION
Weight	120 lbs
Dimensions	42" h x 14.6" w x 22.1" d
Clearance Needed	3" each side, 3" back
Ice Output	Up to 125 lbs of ice (in 24 hours)
Ice Storage	7 lbs

This product has been NSF certified and is UL listed under file #SA4865 per manufacturer Follett; please contact Quench directly for more information.

DESCRIPTION	SPECIFICATION
Recommended Water Pressure	10-70 psi
Rated Voltage/Frequency	115v/60Hz @ 5 amps
Power Consumption	6.9 kWh/100 lbs of ice
Filtration Options	Activated carbon or reverse osmosis
Users	Typically serves up to 25 users

