



Quench 970-15: Free-Standing Water and Ice Maker



- 💧 Chewblet[®] compressed nugget ice
- 💧 Room temperature water
- 💧 State-of-the-art purification
- 💧 Typically serves up to 50 users
- 💧 Touch screen interface for sanitary dispensing
- 💧 Quiet operation
- 💧 Leak detection
- 💧 No drain required
- 💧 Prevents up to 300 5-gallon jugs from entering landfills each year



Beautiful on the outside, the best technology inside

Quench 970-15. A smart looking combination filtered water and ice machine serving up to 50 users. The Quench 970-15 is a free standing unit that stores up to 15 pounds of Chewblet® nugget ice, yet fits into a corner of any break room or waiting area, without the need for a drain.



Chewblet® ice nuggets made by the Quench 970-15



A GREEN APPROACH

The Quench 970-15 prevents up to 300 5-gallon plastic jugs from entering landfills each year.

Total ice-making capability of up to 125 pounds per day

15 pounds of ice storage

Drainless technology

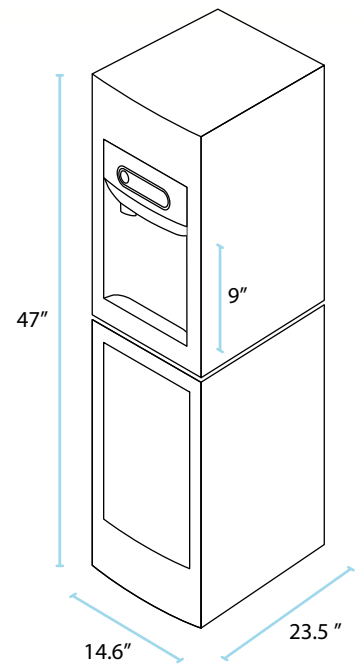
NSF-certified filtration



Ice-maker and room temperature water dispenser

Advanced carbon filtration

Optional reverse osmosis filtration



Specifications

DESCRIPTION	SPECIFICATION
Weight	130 lbs
Dimensions	47" h x 14.6" w x 23.5" d
Clearance Needed	3" each side, 3" back
Ice Output	Up to 125 lbs of ice/24 hours
Ice Storage	15 lbs

This product has been NSF certified and is UL listed under file #SA4865 per manufacturer Follett; please contact Quench directly for more information.

DESCRIPTION	SPECIFICATION
Recommended Water Pressure	10-70 psi
Rated Voltage/Frequency	115v/60Hz @ 5 amps
Power Consumption	6.9 kWh/100 lbs of ice
Filtration Options	Activated carbon or reverse osmosis
Users	Typically serves up to 50 users

