



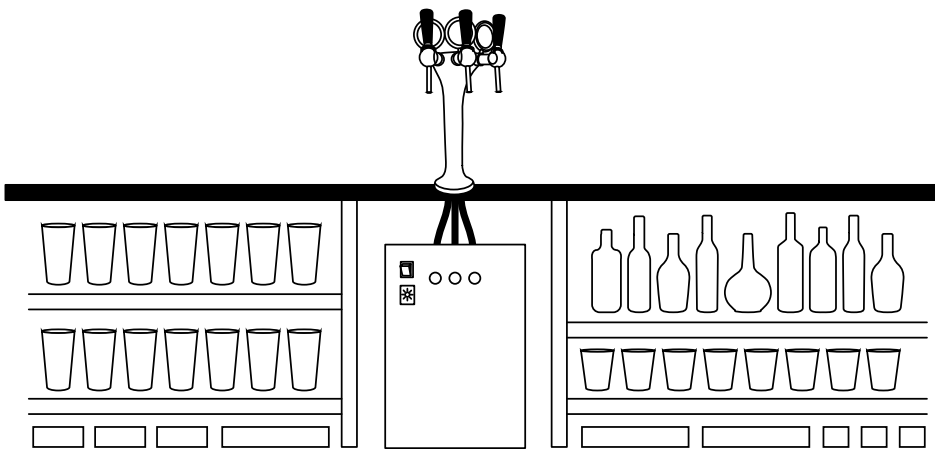
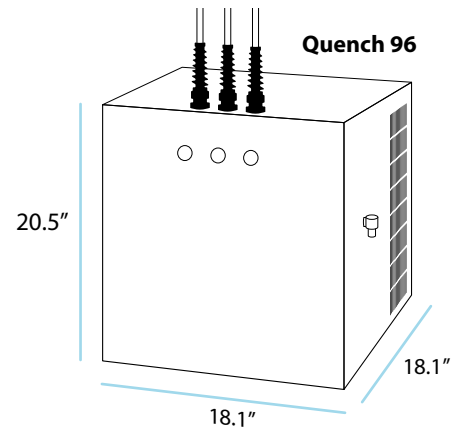
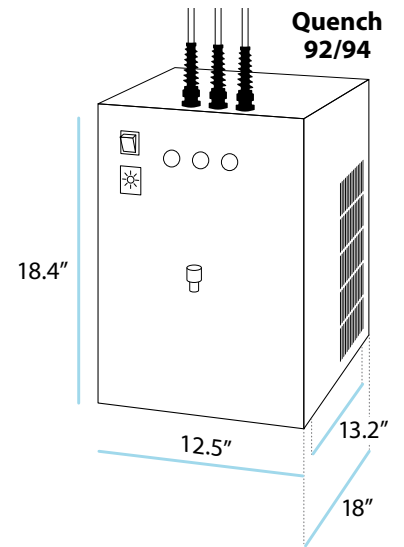
Quench 90 Series: Undercounter Water Coolers

- ◆ Botteless design
- ◆ Cold, ambient, and sparkling water
- ◆ Tap dispensing
- ◆ Icebank cooling technology
- ◆ Typically serves up to 500 people
- ◆ Programmable dispensing levels



Beautiful on the outside, the best technology inside

Quench 90 Series. The Quench 90 series is the perfect solution for busy restaurants, clubs, and catering operations where a high volume of clean, great-tasting still and sparkling drinking water is required. These undercounter systems feature stylish dispensing faucets that are counter-mounted to save valuable space and are easily accessible for glass or bottle filling.



Specifications

DESCRIPTION	92	94	96
Weight	88 lbs	99 lbs	107 lbs
Dimensions (h x w x d)	18.4" x 12.5" x 13.2"	18.4" x 12.5" x 18"	20.5" x 18.1" x 18.1"
Water Options (2 tap)	Cold still and sparkling water		
Water Options (3 tap)	Cold still, cold sparkling, and ambient water		
Cooling Capacity	16 Gal/h	20 Gal/h	40 Gal/h
Continuous Cold Water Supply	5 Gal	12 Gal	20 Gal
Cooling Technology	Stainless steel cooling coil	Stainless steel cooling coil	Double stainless steel cooling coil
Rated Voltage/Frequency	110v/60Hz	110v/60Hz	110v/60Hz
Power Consumption	290W/2.52A	610W/5.5A	650W/2.6A
Users	250	300	500
Certifications	CE	CE	CE

