



Quench 979: Undercounter Water and Ice Dispenser

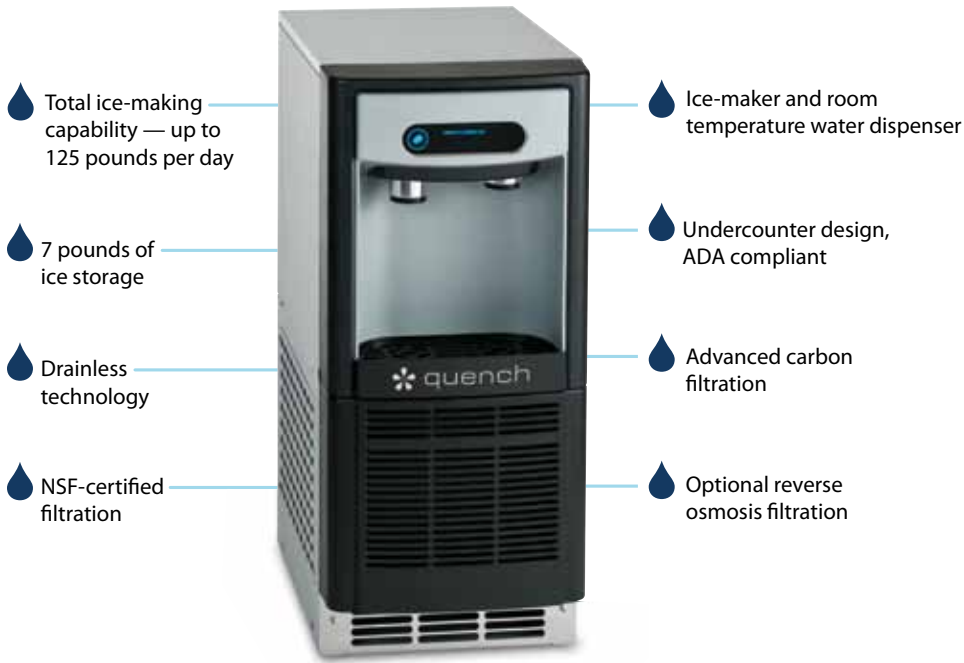


- ◆ Chewblet[®] compressed nugget ice
- ◆ Room temperature water
- ◆ State-of-the-art purification
- ◆ Typically serves up to 25 users
- ◆ Touch screen interface for sanitary dispensing
- ◆ Quiet operation
- ◆ Leak detection
- ◆ No drain required
- ◆ ADA compliant



Beautiful on the outside, the best technology inside

Quench 979. The space-saving Quench 979 is a smart looking water and ice dispenser that produces high-quality Chewblet® nugget ice and fits under most counters. Touch-screen technology keeps hands away from water and ice, and prevents the spread of germs. The Quench 979 is an attractive addition to any lunchroom or breakroom.



Total ice-making capability — up to 125 pounds per day

7 pounds of ice storage

Drainless technology

NSF-certified filtration

Ice-maker and room temperature water dispenser

Undercounter design, ADA compliant

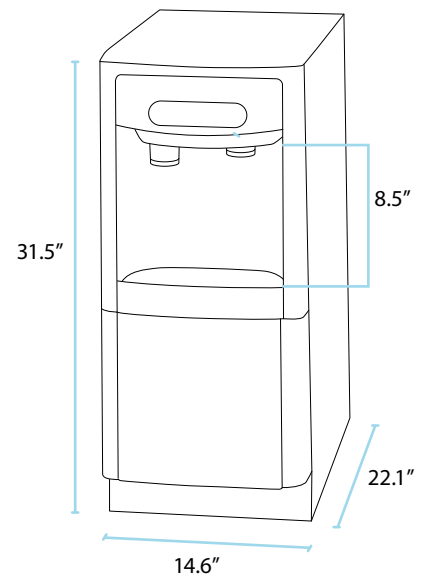
Advanced carbon filtration

Optional reverse osmosis filtration



A GREEN APPROACH

The Quench 979 prevents up to 150 5-gallon plastic jugs from entering landfills each year.



979 Specifications

DESCRIPTION	SPECIFICATION
Weight	100 lbs
Dimensions	31.5"h x 14.6"w x 22.1"d for ADA compliance
Clearance Needed	6" in front
Ice Output	Up to 125 lbs/100 lbs of ice in 24 hours
Ice Storage	7 lbs

This product has been NSF certified and is UL listed under file #SA4865 per manufacturer Follett; please contact Quench directly for more information

DESCRIPTION	SPECIFICATION
Recommended Water Pressure	10-70 psi
Rated Voltage/Frequency	115v/60Hz @ 5 amps
Power Consumption	6.9 kWh/100 lbs of ice
Filtration Options	Activated carbon or reverse osmosis
Users	Typically serves up to 25 users

