



Quench 810: Super High-Capacity Water Cooler

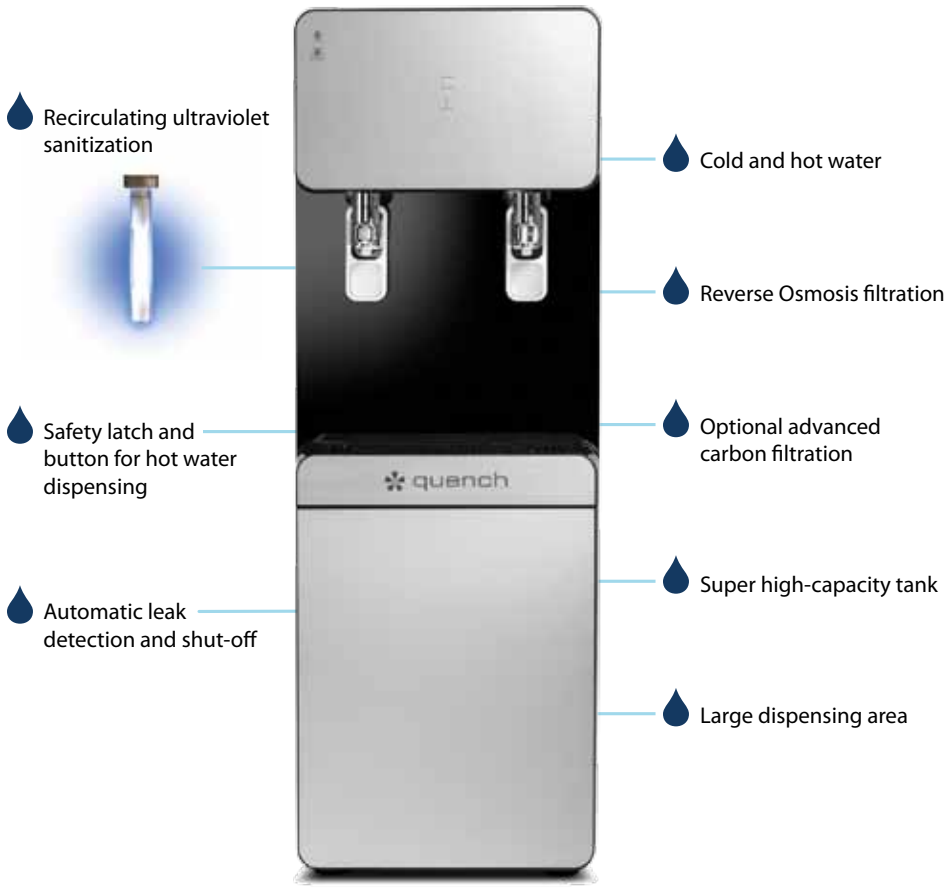


- ◆ Bottleless filtered drinking water cooler
- ◆ Cold and hot water
- ◆ State-of-the-art filtration
- ◆ Recirculating UV Sanitization
- ◆ Typically serves up to 200 users
- ◆ Large dispensing area
- ◆ Prevents 925 5-gallon jugs from entering landfills each year



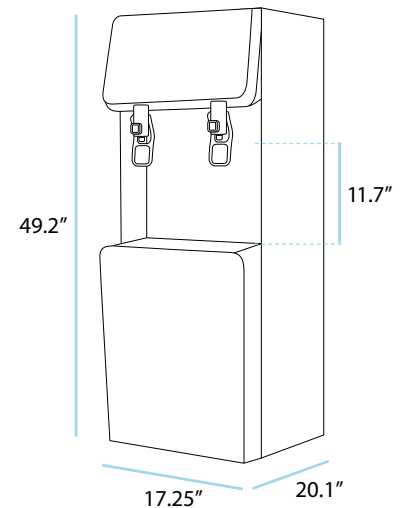
Beautiful on the outside, the best technology inside

Quench 810. Does your operation have lots of staffers or foot-traffic? Do you need lots of cold drinking water on demand at all times? The Quench 810 is a super high-capacity bottleless water cooler that can serve up to 200 people. Its compact size and sleek styling fits into a variety of environments (including warehouses, manufacturing operations, cafeterias and break rooms), while its large tank capacity and quick cooling recovery time ensures a virtually endless supply of fresh filtered water.



A GREEN APPROACH

The Quench 810 prevents up to 925 5-gallon plastic jugs from entering landfills each year.



Specifications

DESCRIPTION	SPECIFICATION
Weight	95 lbs
Dimensions	49.2" h x 17.25" w x 20.1" d
Cold Tank Capacity	16 liters/4.2 gallons
Hot Tank Capacity	3.5 liters / 1 gallon
Recommended Water Pressure	40-60 psi

DESCRIPTION	SPECIFICATION
Rated Voltage/Frequency	110 V/60Hz @ 5.05 amps
Power Consumption	0.55 kWh/24 hours
Automatic UV Sanitization	Yes
Users	Typically serves up to 200 users

