



Quench 570-FS: Vivreau[®] Freestanding Main Bottler

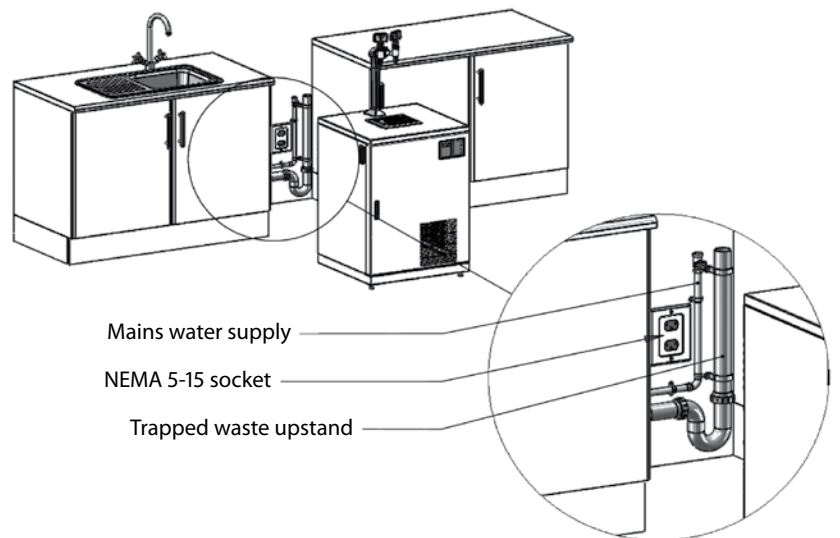


- 💧 Chilled sparkling and still filtered water
- 💧 Tap dispensing and bottle filling capabilities
- 💧 Advanced filtration
- 💧 Icebank cooling technology
- 💧 LED control panel with alerts for CO2 replacement and leak detection
- 💧 Stainless steel drip tray with drain
- 💧 Energy-saving mode
- 💧 100 reusable glass bottles provided



Beautiful on the outside, the best technology inside

Quench 570-FS: Vivreau® Freestanding Main Bottler. With its high performance icebank cooling technology, the Quench 570-FS: Vivreau Freestanding Main Bottler delivers high volumes of chilled sparkling and still filtered water, perfect for busy restaurants, conference centers, bars, clubs, and catering operations. The Quench 570-FS: Vivreau Freestanding Main Bottler comes as a single unit suitable for slide-in or freestanding applications.



Specifications

DESCRIPTION	SPECIFICATION
Weight	164 lbs
Dimensions	52.9"h x 23.4"w x 23.2"d (height measures to top of tap dispenser; allow 6" clearance above)
Water Options	Cold still and sparkling water
Minimum Water Pressure	50 psi

DESCRIPTION	SPECIFICATION
Maximum Water Pressure	80 psi
Cooling Technology	Stainless steel cooling coil
Rated Voltage/Frequency	120v/60 Hz
Power Consumption	48W/11 amps

*Must be installed within 40" of an electrical outlet; extension cords cannot be used.

