



# Quench 555/565

## High-Capacity Sparkling Water Dispenser

- Cold and room temperature filtered water
- Chilled sparkling water
- Tap dispensing
- Ice bank cooling technology
- Space-saving countertop design



water up



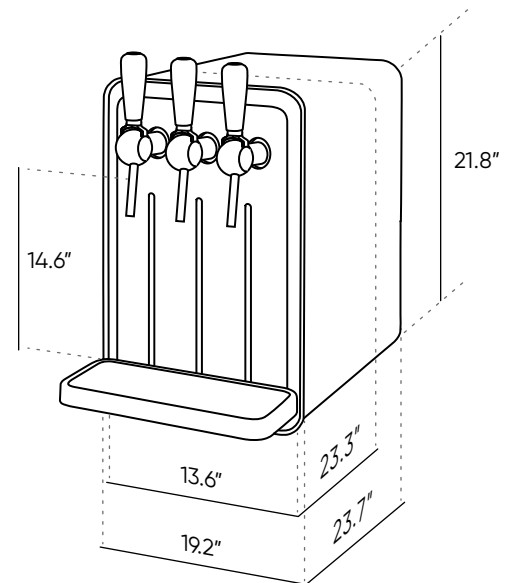
# Quench 555/565

Upgrade your commercial capacity filtered water dispenser with sparkling water! The Quench 555 is a contemporary commercial grade filtered still and sparkling water dispensing system. The Quench 555 offers a large dispensing area with tap dispensing, perfect for quick-filling large glasses and carafes. The Quench 565 is the same great machine with a cooling capacity of 40 gallons per hour compared to the Quench 555's 20 gallons per hour.



## High-Capacity Sparkling Water Dispenser

- Cold and room temperature filtered water
- Chilled sparkling water
- Ice bank cooling technology
- Tap dispensing
- Dispensing height of 14.6" to accommodate large glasses or carafes
- Safety inlet valve for quick shut-off
- Attractive stainless steel case
- Available with larger capacity: Quench 565



## Specifications

### Quench 555

Dimensions	21.8" h x 13.6" w x 23.3" d
Dispensing Height	14.6"
Weight	77 lbs
Water Options	Cold, room temperature, sparkling
Cooling Capacity	20 Gal/h
Continuous Cold Water Supply	12 Gallons
Cooling Technology	Ice bank
Recommended Water Pressure	50 - 80 psi
Rated Voltage/Frequency	115V/60Hz
Power Consumption	330 W - 3.2 Amps
Model Number	555

### Quench 565

Dimensions	21.8" h x 19.2" w x 23.7" d
Dispensing Height	14.6"
Weight	101 lbs
Water Options	Cold, room temperature, sparkling
Cooling Capacity	40 Gal/h
Continuous Cold Water Supply	20 Gallons
Cooling Technology	Ice bank
Recommended Water Pressure	50 - 80 psi
Rated Voltage/Frequency	115V/60Hz
Power Consumption	885 W - 8.35 Amps
Model Number	565

*Quench products are certified by independent authorized 3rd party laboratories in accordance of appropriate industry standards. To find out more about which certification your product may have, please contact us.*